

# iXL1000 dry pump

The iXL1000 is a low energy compact dry pump for light duty applications. It provides fast chamber pump down and extremely low power usage.

The iXL1000 is one of the smallest and quietest pumps available for light duty applications such as wafer handling, PVD and metrology. Building on the highly successful iXL120 pump, it features high pumping speed and low energy consumption. A Green Mode allows reduced utilities usage during idle periods, saving costs and helping to save the environment.



## Features and benefits

- One of the fastest chamber pump down time reducing total average cycle time (TACT)
- Only 1 kW<sup>1</sup> power consumption helps minimise cost of ownership
- Green Mode energy reduction reduces power consumption by up to 96% during idle periods
- Zero maintenance required between major overhauls due to precision oil lubricated bearings throughout the pump and booster
- Extremely quiet at only 55 dB(A)
- Compact footprint of 0.195 m<sup>2</sup> and can replace iGX600 or iGX1000 without the need for adapters
- Consistent performance from a single voltage variant 200-460 V 50/60 Hz
- Integrated exhaust non-return valve prevents contaminant suck back from house exhaust

<sup>1</sup> Average power at ultimate pressure and 700T exhaust pressure

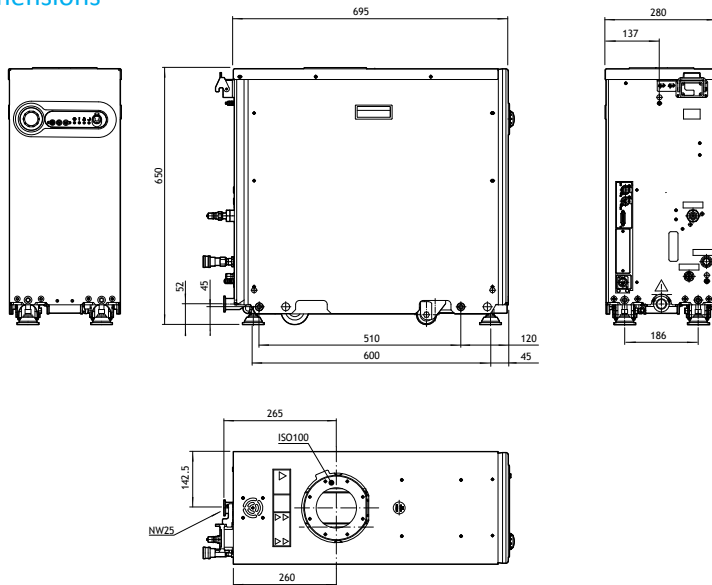
# Technical data

		iXL1000	iXL1000N
Peak speed	m <sup>3</sup> /h/ cfm / l/min	930/547/15500	
Ultimate pressure (typical)	mbar / Torr / Pa	0.001/0.00075/0.1	
Power at ultimate <sup>1</sup>	kW	1	
Power in Green Mode	kW	0.05	
Inlet connection		ISO100	
Outlet connection		NW25	
Cooling water connection		3/8" Quick Connect	
Nitrogen connection		n/a	¼" tube fitting
Water flow <sup>2</sup>	l/m	1.6	
Typical purge flow	slm	0	0-40 (default 10)
Weight	kg	167	168

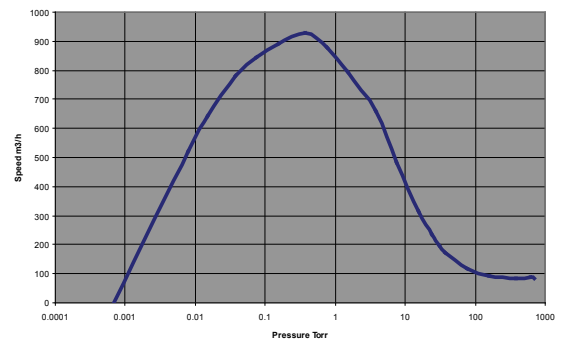
<sup>1</sup> Average power at 700T exhaust pressure and zero purge

<sup>2</sup> Average at 20 °C water temperature and 20 °C ambient

## Dimensions



## Performance



## Ordering information

Description	Order number
iXL1000 200-460 V 50/60 Hz	A54153020
iXL1000N 200-460 V 50/60 Hz	A54154020

## Global contacts

### EUROPE

UK Crawley +44 1293 528844  
 UK (local rate) 08459 212223  
 Belgium Brussels +32 2 300 0730  
 France Paris +33 1 4121 1256  
 Germany Munich 0800 000 1456  
 Italy Milan +39 02 48 4471

### USA

Niagara (toll free) +1 800 848 9800

### BRAZIL

Sao Paulo +55 11 3952 5000

### ISRAEL

Qiryat-Gat +972 8 681 0633

### ASIA PACIFIC

China (toll free) +86 400 111 9618

India, Pune +91 20 4075 2222

Japan, Yachiyo +81 47 458 8831

Korea, Bundang +82 31 716 7070

Singapore +65 6546 8408

Taiwan R.O.C. Jhunan Town +886 3758 1000



WWW.EDWARDSVACUUM.COM

info@edwardsvacuum.com

Publication Number: A54153895, Issue A  
 © Edwards Limited 2013. All rights reserved.  
 Edwards and the Edwards logo are trade marks of Edwards Limited.