

IPUP2 dry pump

IPUP2 is a compact, low energy, 180m³/h dry pump for wafer handling and other clean duty applications. It provides fast pump down of load lock chambers with low energy consumption.

IPUP2 is small and light for load lock and clean applications. It's low vibration and low noise levels make it ideal for on-tool use or within a fab's waffle floor, helping to save valuable fab floor space while maximising pumping performance. Green Mode allows reduced utilities usage during idle periods, lowering utility costs and helping to save the environment!



Features and benefits

- Extremely fast chamber pump down time and rapid cycling capability reduces total available cycle time (TACT)
- Only 0.5 kW¹ power consumption at ultimate pressure helps minimise cost of ownership
- IPUP2 can replace existing IPUP pumps for lower power consumption (-70%) and greater pumping performance (+89%)
- Green Mode can reduce power consumption by up to 94% during idle periods
- Up to 30 °C water supply temperature helps reduce facility cooling water requirements
- Small and light, helping to save valuable fab space
- Oil lubricated precision bearings ensure smooth, low vibration operation with no routine maintenance
- Only 55 dB(A) and low vibration allow use on-tool or within the clean room
- Unique dual inlet arrangement allows for efficient foreline routing and location options
- Zero nitrogen purge eliminates the need for a nitrogen supply, saving installation and operating costs

¹ Average power at 700T exhaust pressure

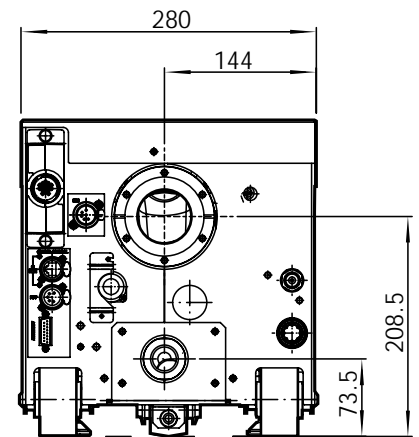
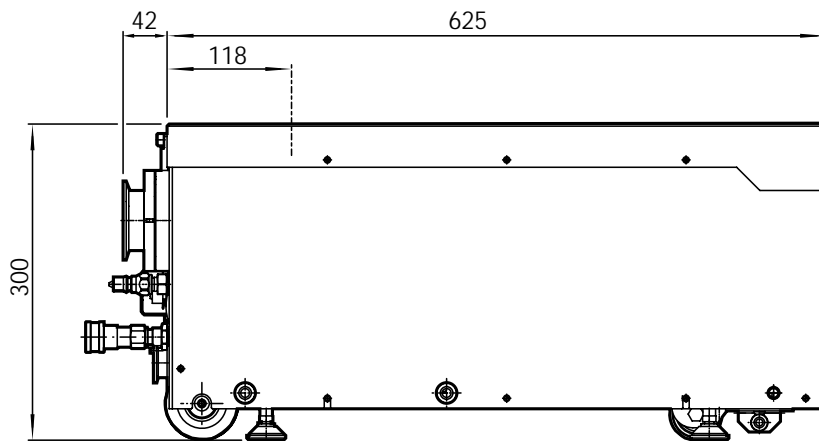
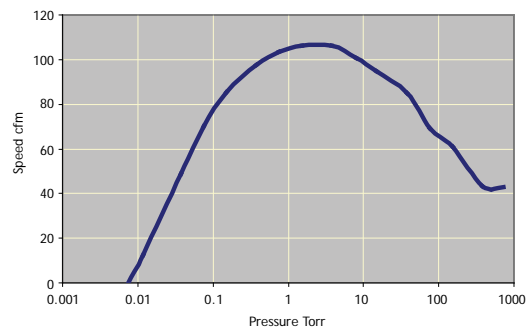
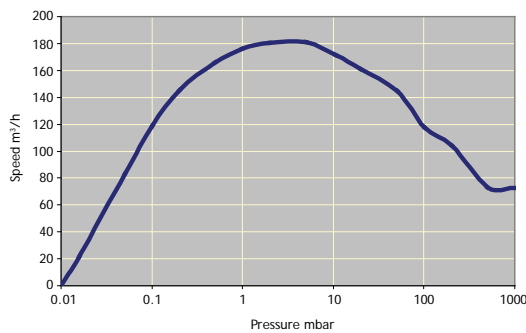
Technical data

Peak speed	180 / 106 / 3000	m ³ /h / cfm / l/min
Ultimate pressure (typical)	0.013 / 0.01 / 1.3	mbar / Torr / Pa
Power at ultimate ¹	0.5	kW
Power in Green Mode	0.03	kW
Inlet connection	NW50/NW50	Horizontal/Vertical
Outlet connection	NW25	
Cooling water connections	1/4" Quick Connect	
Power connection	Amphenol ecomate C016 20D male	
Minimum water flow	2	l/m
Typical purge flow	0	slm
Weight	75	kg

Ordering Information

Edwards Part Number: A54057000
 – IPUP2 200-208V 50/60Hz. IPUP2 is supplied fitted with an SPI MicroTIM tool interface module. Mating halves of power and water connectors should be ordered separately if required.

Performance Curves



¹ Average power at 700T exhaust pressure

Global contacts

EUROPE

UK Crawley +44 1293 528844
 UK (local rate) 08459 212223
 Belgium Brussels +32 2 300 0730
 France Paris +33 1 4121 1256
 Germany Munich 0800 000 1456
 Italy Milan +39 02 48 4471

USA

Niagara (toll free) +1 800 848 9800
BRAZIL
 Sao Paulo +55 11 3952 5000
ISRAEL
 Qiryat-Gat +972 8 681 0633

ASIA PACIFIC

China (toll free) +86 400 111 9618
 India, Pune +91 20 4075 2222
 Japan, Yachiyo +81 47 458 8831
 Korea, Bundang +82 31 716 7070
 Singapore +65 6546 8408
 Taiwan R.O.C. Jhunan Town +886 3758 1000